



Airo Pro 1.5 Gallon Sprayer
501-502-180



Airo Pro 1 Gallon Sprayer
501-504-210



Airo Pro .5 Gallon Sprayer
501-505-180

***Airo Pro Sprayer
Manual***

Safety Notices

Airofog Airopro Professional Sprayers referred to in this document are designed for use by qualified and experienced personnel. Please read this instruction thoroughly before usage.

Safety Instruction

- Keep out reach of children
- Before use, check condition and proper function of the sprayer
- Only pump up and down and maintain sprayer in an upright position or a vertically hanging position
- Do not leave insecticide filled sprayer out in direct sunlight
- Note wind direction when in use to avoid spraying in areas that aren't supposed to be treated and yourself
- Never spray into electrical outlets or cable boxes
- When using metal extension close to electrical equipment, pay attention to avoid electric shock
- Do not operate a sprayer that has visible wear on parts
- Always wear personal protective equipment (PPE) when handling dangerous substances
- Application of insecticides should follow manufacturer recommendations and must be in compliance with local regulations in regards to the application of pesticides. We are not liable for consequences of improper application
- When unscrewing cap, never point the lance at others or yourself
- Never blow through clogged nozzles or valves with your mouth
- Before repair and maintenance, drain insecticide and release all pressure from sprayer
- Always replace damaged, or malfunctioning parts

Caution



It is the operator's responsibility to ensure the safe use of the sprayer and that they're fully compliant with national or local regulations governing compression sprayer and applications of pesticides.



AIROFOG USA is not liable for damages that has occurred due to improper use/repair/maintenance, the use of non-recommended or non OEM parts, and acceptance of damaged/broken sprayers for any reason.



Airofog USA
15074 Aviation Loop Drive
Brooksville, FL 34604
USA

+1-352-593-5152
airofog@airofogusa.com
www.airofogusa.com

Care & Maintenance

Cleaning the sprayer

- Rinse tank thoroughly with water
- Add water and detergent to the tank
- Attach pump cap and tighten it
- Shake vigorously to clean inside of tank
- Pressurize the tank
- Flush the hose and trigger valve
- Empty the tank and refill with clean water
- Flush the hose and trigger valve once more
- Empty remaining water
- Sprayer should be cleaned thoroughly weekly

Pump & trigger valve maintenance

- Piston o-ring and trigger valve o-ring should be greased every 90 days
- Lightly grease threads on the inside of the filler cap with marine or automotive grease every 90 days
- Check valve at the bottom of the pump cylinder for wear or loose fit. This valve prevents liquid from entering pump. If liquid is leaking into pump, valve should be replaced

After every use

- Empty tank
- Drain the hose and lance
- Carefully inspect all gaskets and hoses as well as the other fittings for wear
- Replace any worn parts as necessary

Clogged nozzle and extension straw

- DO NOT insert metal objects into tip
- Clean with soft bristle brush to free clogs
- Detergents or solvents can be used to soak tip
- DO NOT use ammonia; it can corrode brass
- Run warm water over and into extension straw
- Blow compressed air through the back of the nozzle and extension straw
- Remove strainer housing to access the strainer replace strainer and wash out the housing

Airofog Guarantee

Airofog USA guarantees the Airopro professional sprayers to be free of defects in materials and workmanship to the original purchaser for a period of one(1) year on labor and parts which are not subject to usual wear. During this period, AIROFOG USA will replace and/or repair the parts and manufacturer faults on the exclusive judgment of our technical department free of charge

Shipping and dispatch of defect equipment will be at original purchaser's expense

Guarantee does not cover damages occurred during transport or by incorrect handling, tampering, use, or the use of non-recommended products and so on.

Under no circumstances will AIROFOG USA be liable for damages due to improper use or application.

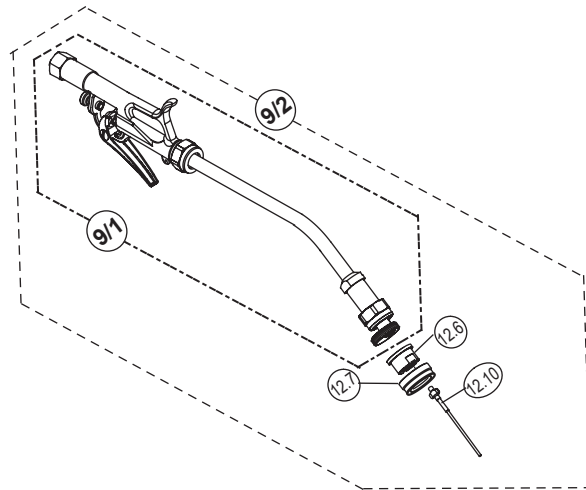
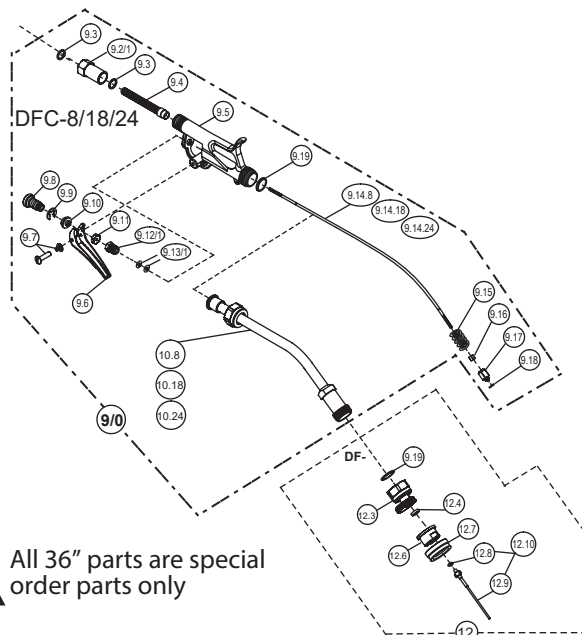
Under no circumstances will AIROFOG USA be responsible for damages to any persons or property.




Airofog USA
15074 Aviation Loop Drive
Brooksville, FL 34604
USA

+1-352-593-5152
airofog@airofogusa.com
www.airofogusa.com

Airopro Sprayer Trigger Diagram



 All 36" parts are special order parts only

Pos.	Part no.	Description
DFC8	501-000-080	DFC valve assembly, 9"
DFC18	501-000-180	DFC valve assembly, 18"
DFC24	501-000-240	DFC valve assembly, 24"
9.1/2	501-009-020	Strainer housing
9.3	500-009-030	Nylon gasket
9.4	500-009-040	Strainer
9.5	500-009-050	Valve body
9.6	500-009-060	Valve trigger
9.7	500-009-070	Trigger screw
9.8	500-009-080	Safety lock nut
9.9	500-009-090	Snap ring
9.10	500-009-100	Adjustment screw
9.11	500-009-110	Lock nut
9.12/1	500-900-121	Packing nut (optional)
9.13/1	500-009-131	O-ring x2
9.14.8	500-009-141	Valve cable, 9"
9.14.18	500-009-143	Valve cable, 18"
9.14.24	500-009-144	Valve cable, 24"

Pos.	Part no.	Description
9.15	500-009-150	Seat stem spring
9.16	500-009-160	Seat stem nut
9.17	500-009-170	Seat stem
9.18	500-009-180	Viton o-ring
9.19	505-009-150	Gasket
10.8	500-010-080	Valve extension, 9"
10.18	500-010-240	Valve extension, 18"
10.24	500-012-000	Valve extension, 24"
12	500-012-000	Multi nozzle assembly
12.3	500-012-030	Multi nozzle c&c tip holder
12.4	500-012-040	VitonR gasket
12.6	500-012-060	Multi nozzle c&c tip
12.7	500-012-070	Tip retainer
12.8	935-018-000	O-ring
12.9	500-012-090	Extension straw
12.10	500-012-100	Extension straw with o-ring
9/2	501-000-082	Trigger valve cpl. 9"
	501-000-182	Trigger valve cpl. 18"
	501-000-242	Trigger valve cpl. 24"
	501-000-362	Trigger valve cpl. 36"
9/1	501-000-081	Trigger valve assembly, 9"
	501-000-181	Trigger valve assembly, 18"
	501-000-241	Trigger valve assembly, 24"
	501-000-361	Trigger valve assembly, 36"

Service kit

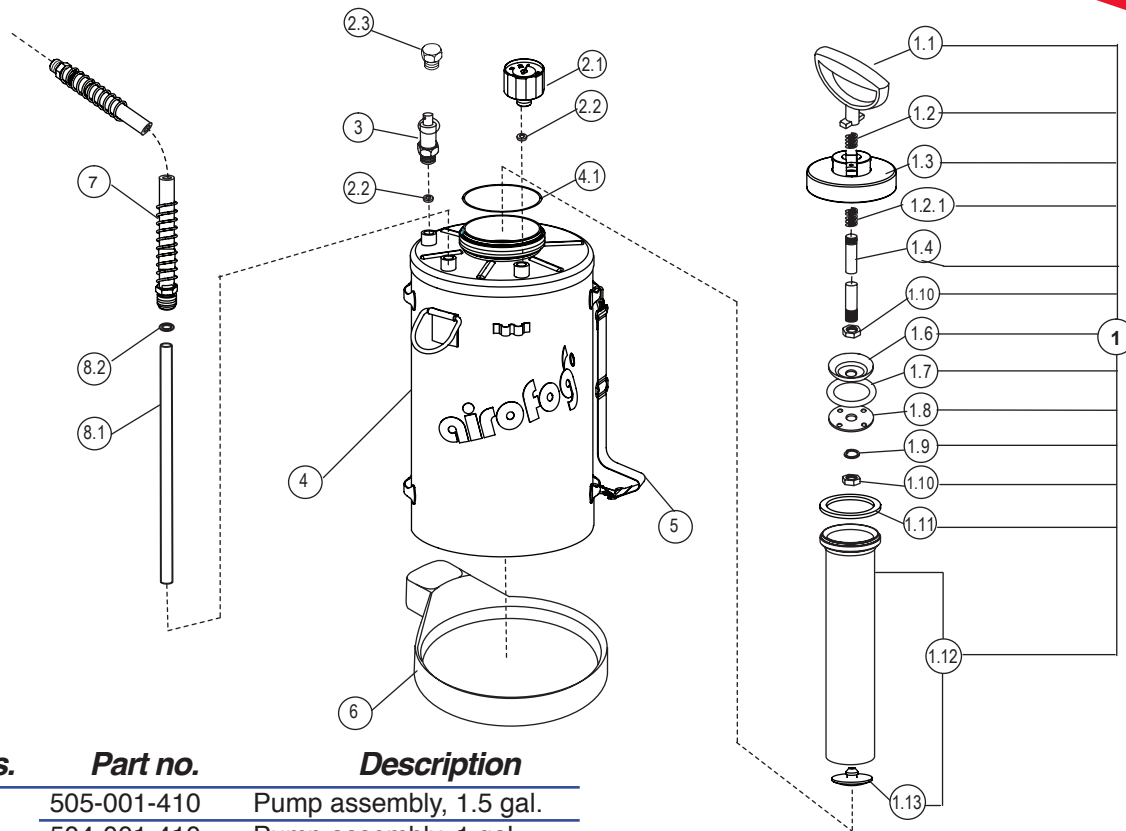
501-000-000
Airofog USA Pump/cylinder valve repair kit



Airofog USA
15074 Aviation Loop Drive
Brooksville, FL 34604
USA

+1-352-593-5152
airofog@airofogusa.com
www.airofogusa.com

Airofog Sprayer Tank Diagram



Pos.	Part no.	Description
1	505-001-410	Pump assembly, 1.5 gal.
	504-001-410	Pump assembly, 1 gal.
	502-001-410	Pump assembly, .5 gal.
1.1	501-001-010	Pump handle
1.2	505-001-020	Pump lock spring
1.2.1	505-001-021	Spring
1.3	501-001-030	Pump cap
1.4	505-001-440	Pump rod, 1.5 gal.
	504-001-440	Pump rod, 1 gal.
	502-001-440	Pump rod, .5 gal.
1.6	505-001-060	Cup spreader plate
1.7	505-001-070	O-ring
1.8	505-001-080	Back plate
1.9	505-001-090	Lock washer
1.10	501-001-100	Plunger nut
1.11	501-001-110	Pump gasket
1.12	505-001-420	Pump cylinder, 1.5 gal.
	504-001-420	Pump cylinder, 1 gal.
	502-001-420	Pump cylinder, .5 gal.

Pos.	Part no.	Description
1.13	502-001-130	Check valve
2.1	501-002-000	Psi gauge (0-60psi)
2.2	505-002-020	Washer
3	501-003-000	Pressure relief Valve
4	505-004-410	Tank, 1.5 gal.
	504-004-410	Tank, 1 gal.
	502-004-410	Tank, .5 gal
4.1	604-016-010	O-ring
5	505-005-000	Adjustable carry strap
6	505-006-010	Base, blue
7	501-007-620	4ft hose, Blue
	501-007-420	4ft hose, Green
8	505-005-400	Syphon tube, 1.5 gal.
	504-008-400	Syphon tube, 1 gal.
	502-008-400	Syphon tube, .5 gal.



Airofog USA
15074 Aviation Loop Drive
Brooksville, FL 34604
USA

+1-352-593-5152
airofog@airofogusa.com
www.airofogusa.com

Accessories



500-015-210
Tip only



500-015-220
Tip only



500-015-240
Tip only



501-015-309
Complete

500-015-090
Tip only



501-015-318
Complete

500-015-180
Tip only

Every Airo Pro sprayer includes:

- 1 pump cylinder repair kit
- 1 valve assembly repair kit
- 1 carry strap
- (1gal and 1.5gal tanks include an additional strap)
- 9", 18", or 24" wand
- C&C tip with screw in C&C straw
- Pressure gauge
- Pressure relief valve



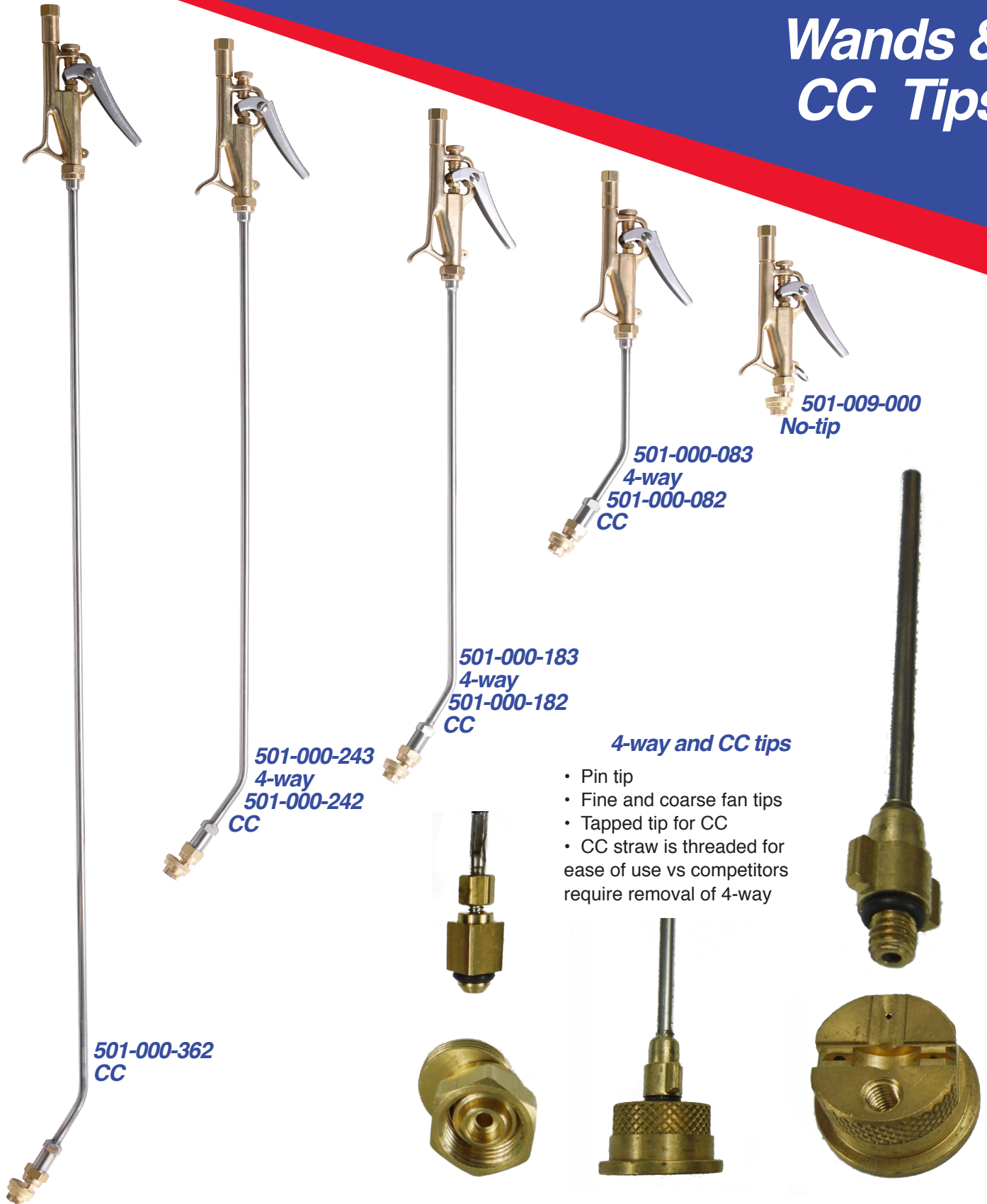
All "tip only" parts require retainer clip (500-011-050) and retainer gasket (500-009-150)



Airofog USA
15074 Aviation Loop Drive
Brooksville, FL 34604
USA

+1-352-593-5152
airofog@airofogusa.com
www.airofogusa.com

Wands & CC Tips



501-000-362
CC

501-000-243
4-way
501-000-242
CC

501-000-183
4-way
501-000-182
CC

501-000-083
4-way
501-000-082
CC

501-009-000
No-tip

4-way and CC tips

- Pin tip
- Fine and coarse fan tips
- Tapped tip for CC
- CC straw is threaded for ease of use vs competitors require removal of 4-way



Airofog USA
15074 Aviation Loop Drive
Brooksville, FL 34604
USA

+1-352-593-5152
airofog@airofogusa.com
www.airofogusa.com

Specifications

	1/2 Gallon ¹	Gallon	1.1/2 Gallon
Working Capacity ¹	/2 Gal.1	Gal.	1.1/2 Gal.
Tank Volume ⁴	/5 Gal.1	1.1/2 Gal.	.4/5 Gal.
Tank Material	AISI 304		
Max. Working Pressure	90 psi		
Filling Mouth	Ø2.3/4 inch		
Pressure Relief Valve	operates at 60 psi		
Pressure Gauge	0-100 psi		
Pump Handle	brass, D-type		
Pump Cylinder	AISI 304 with Viton™ check-valve	AISI 304 with spring-loaded Viton™ seat non-return valve	
Spray Hose	48 in		
Trigger Valve	brass, drip-free (DFC) type with lock-on & lock-off features		
Spray Lance	AISI 304, 9" or 18"		
Nozzle	4-way multi-nozzle with crack & crevice extension straw or even flat fan nozzle 8002E		
Carrying Straps	single shoulder strap	double shoulder strap	
Service Kit	supplied as standard:pump kit,trigger valve kit,seal/gasket kit		
Tank Dimensions	Ø6.7 x H7.3 in	Ø6.7 x H11.2 in	Ø6.7 x H14.2 in
Total Height	10.6 in	14.6 in	17.5 in
Net Weight ⁵	.72 lbs.	6.82 lbs.	8.14 lbs.

※ Specifications subject to change without notice or obligation.

Trademarks appearing within are the property of Airofog Machinery Co., Ltd.

Other trademarks are the property of their respective owners.



Airofog USA
15074 Aviation Loop Drive
Brooksville, FL 34604
USA

+1-352-593-5152
airofog@airofogusa.com
www.airofogusa.com