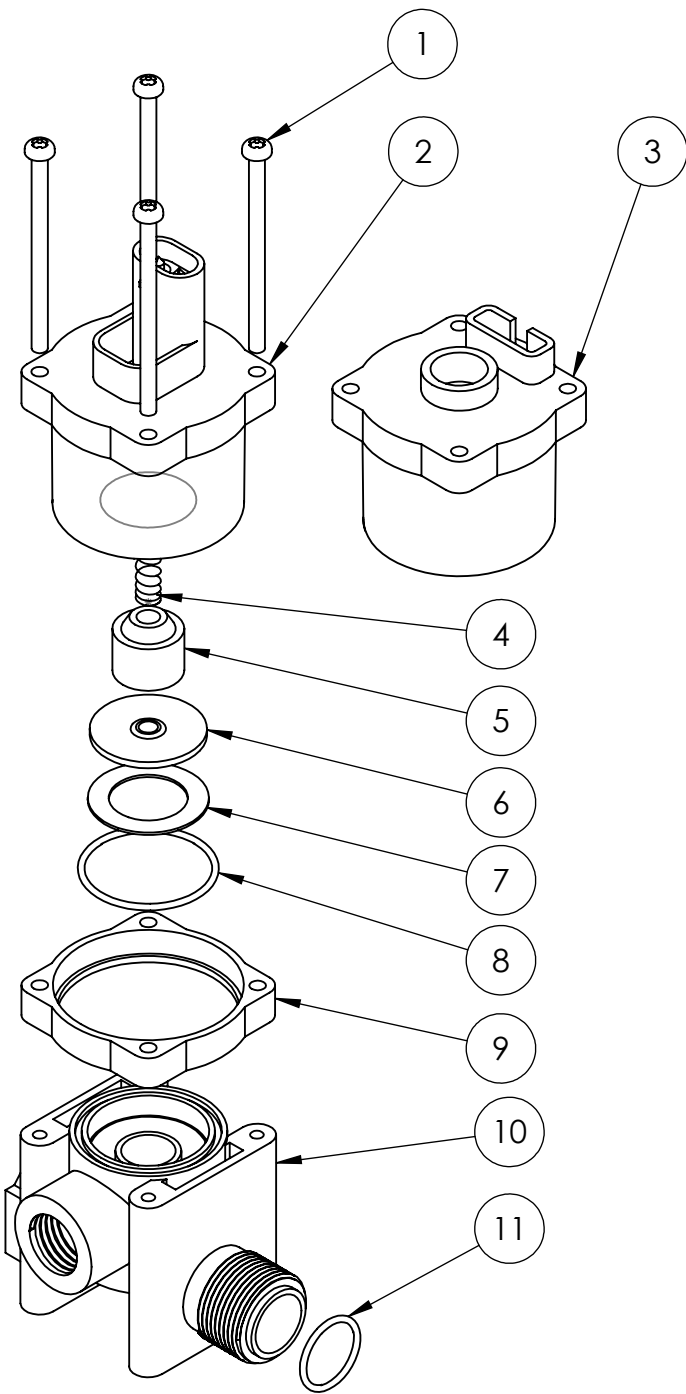


B



2

1

ITEM NO.	PART NUMBER	DESCRIPTION	QTY.
1	SCR 5308	#8 X 2-1/2" SS PHIL PAN T/S	4
2	CL.2641.WP.C OPTION	COIL ASSEMBLY WEATHER PACK WITH WEATHER PACK	1
3	CL.2642 OPTION	COIL ASSEMBLY 1/4" SPADE TERMINALS	1
4	SP.2315	SPRING	1
5	PLGR.6383	PLUNGER	1
6	PLGR 2383	DISC VALVE, VITON	1
7	WSR 2363	TEFLON WASHER	1
8	OR.2314	O-RING (.028 VITON)	1
9	PL 2631	ADAPTER RING	1
10	PL 2895	VALVE BODY	1
11	OR 2166	O-RING VITON (028)	1

B

A

UNLESS OTHERWISE SPECIFIED:

DIMENSIONS ARE IN INCHES
 TOLERANCES:
 FRACTIONAL \pm
 ANGULAR: MACH \pm BEND \pm
 TWO PLACE DECIMAL \pm
 THREE PLACE DECIMAL \pm

INTERPRET GEOMETRIC
 TOLERANCING PER:

MATERIAL

DO NOT SCALE DRAWING

NAME DATE

DRAWN BT 9/9/16

CHECKED

ENG APPR.

PROPRIETARY AND CONFIDENTIAL

THE INFORMATION CONTAINED IN THIS
 DRAWING IS THE SOLE PROPERTY OF
 TEXAS INDUSTRIAL REMCOR, INC. ANY
 REPRODUCTION IN PART OR AS A WHOLE
 WITHOUT THE WRITTEN PERMISSION OF
 TEXAS INDUSTRIAL REMCOR, INC. IS
 PROHIBITED.

TEXAS INDUSTRIAL REMCOR, INC.

TITLE:

SV 2500B-1-WP,
 WP.C & SPADE

SIZE DWG. NO. REV

A SV.2500B

SCALE: 1:2

SHEET 1 OF 1

1